

PARTS LIST

CHAIN SAW

G3800

NOTE :

1. Use KOMATSU ZENOAH genuine parts specified in the parts list for repair and/or replacement.
2. KOMATSU ZENOAH does not warrant the machines, those which have been damaged by the use of any parts other than those specified by the company.
3. When placing orders of parts for repair and/or replacement, check if the model name and the serial number are suitable to those specified in the parts list, then use parts number described in the parts list.
4. The contents described in the parts list may change due to improvement.
5. The parts for the machine shall be supplied within ten (10) years after the machine is discontinued.
[It is possible that some specific parts may be subject to change of their delivery term and list price within the limit of ten (10) years after the machine is discontinued. And it is also possible that some parts may be available even after the limit of ten (10) years.]

Fig. 1 POWER UNIT

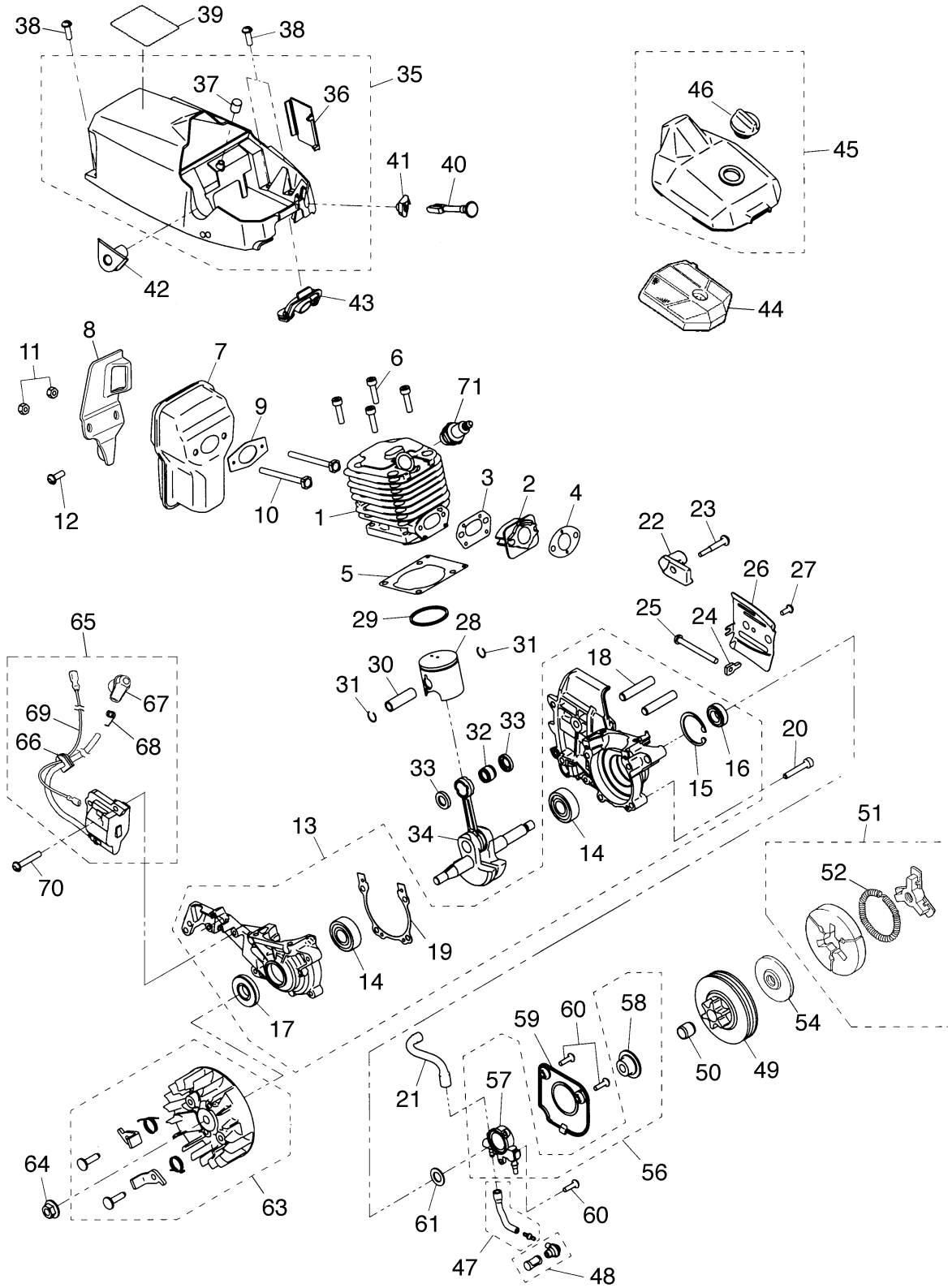


Fig. 1 POWER UNIT

Key#	PART NUMBER	DESCRIPTION	Q'TY /UNIT	NOTE	Key#	PART NUMBER	DESCRIPTION	Q'TY /UNIT	NOTE
1	2898-12111	Cylinder	1		47	848C306731	Pipe in comp.	1	
2	2867-14110	Insulator	1		48	T2100-23200	Filter comp.	1	
3	2850-14123	Gasket, inlet	1		49	2860-51111	Clutch drum	1	
4	3330-14121	Gasket, carb	1		50	3310-51310	Bearing	1	
5	2850-14212	Gasket, cylinder	1		51	848C405121	Clutch ass'y	1	
6	4820-13180	Bolt	4		52	2870-51230	• Spring	1	
7	T2100-15112	Muffler	1						
8	T2100-15311	Stay	1		54	2850-51211	Plate	1	
9	T2100-15210	Gasket, muffler	1						
10	T2100-15220	Bolt, muffler	2		56	2841-55103	Oil pump ass'y	1	
11	2850-15230	Nut, muffler M5	2		57	2841-55112	• Oil pump	1	
12	2670-14320	Screw	1		58	2850-55121	• Worm	1	
13	848C402101	Crankcase ass'y	1		59	T2100-55610	Cover, pump	1	
14	84889C3200	• Bearing	2		60	2670-55410	Screw	4	
15	04065-03212	• Snap ring	1		61	2850-55211	Washer	1	
16	2169-21210	• Seal	1						
17	8488AC3210	• Oil seal	1		63	T2100-71100	Roter comp.	1	
18	2616-21230	• Stud	2		64	1650-43230	Nut	1	
19	T2100-21310	• Gasket, case	1		65	T2100-71300	Coil assy	1	
20	4820-21310	Bolt	4		66	5500-72130	• Grommet	1	
21	T2100-21400	Pipe out comp.	1		67	2850-72110	• Cap	1	
22	848C3066F1	Chain catcher	1		68	1400-72121	• Spring	1	
23	2850-25220	Stopper	1		69	T2100-71510	• Cord, switch	1	
24	T2100-53220	Nut tensioner	1		70	2670-55410	Screw	2	
25	T2100-53210	Screw	1		71	3699-90032-10	Spark plug (RCJ-7Y)	1	
26	2850-25411	Plate (A)	1						
27	2670-25430	Screw	1						
28	T2100-41110	Piston	1						
29	T2100-41210	Ring	1						
30	2850-41310	Piston pin	1						
31	1300-41320	Snap ring	2						
32	T2100-41410	Bearing	1						
33	2850-41510	Washer	2						
34	T2100-42000	Shaft comp.	1						
35	T2100-31100	Cover comp.	1						
36	2856-31120	• Cap	1						
37	2810-83410	• Grommet	1						
38	8488251911	Screw	4						
39	T2100-31610	Label	1						
40	2850-82411	Rod	1						
41	T2100-82420	Grommet, choke	1						
42	2867-82320	Grommet	1						
43	T2100-82520	Grommet, throttle	1						
44	2850-83100	Air cleaner comp.	1						
45	2850-83303	Cleaner cover comp.	1						
46	2841-83320	• Knob	1						

Fig. 2 POWER UNIT

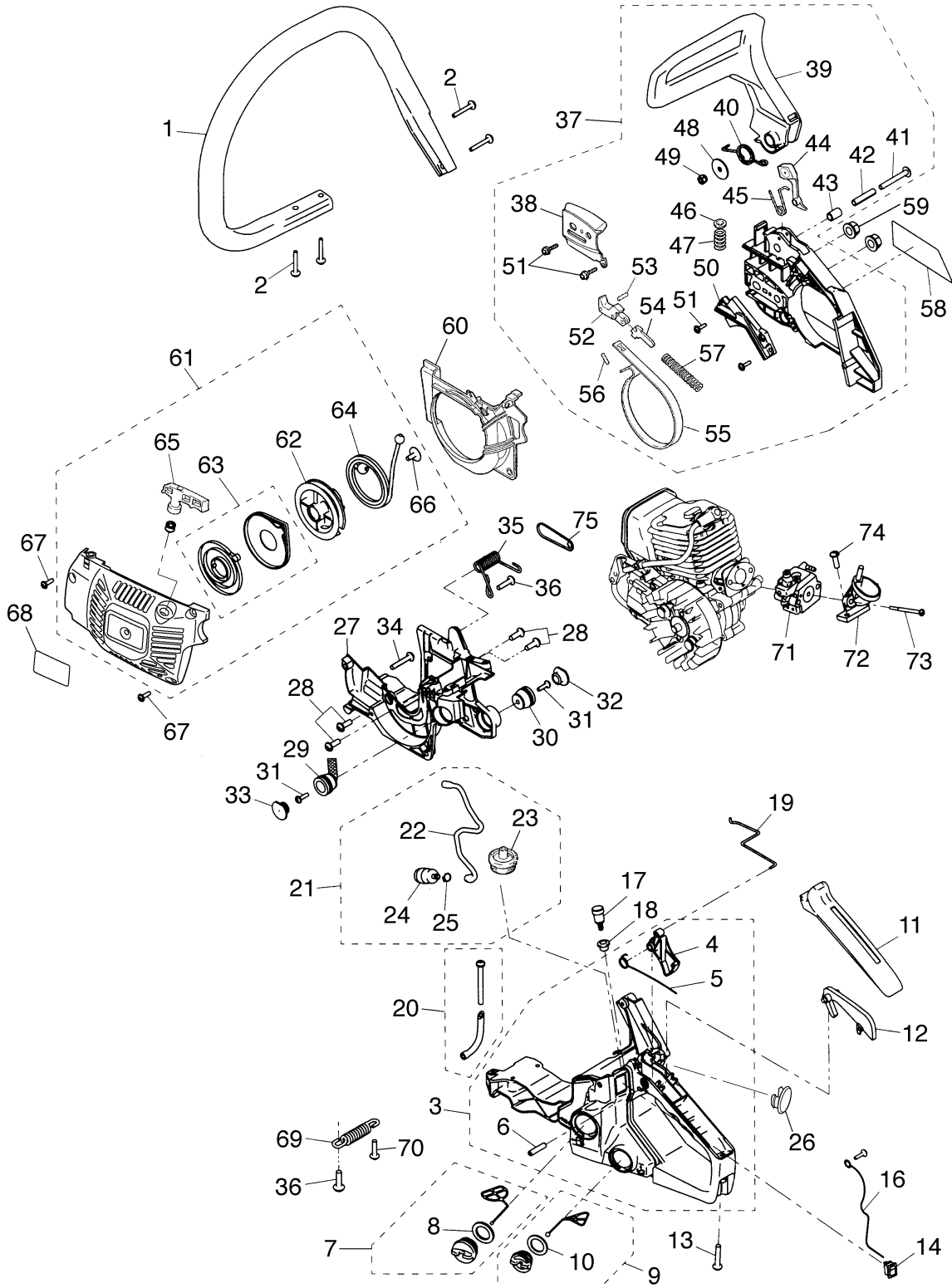
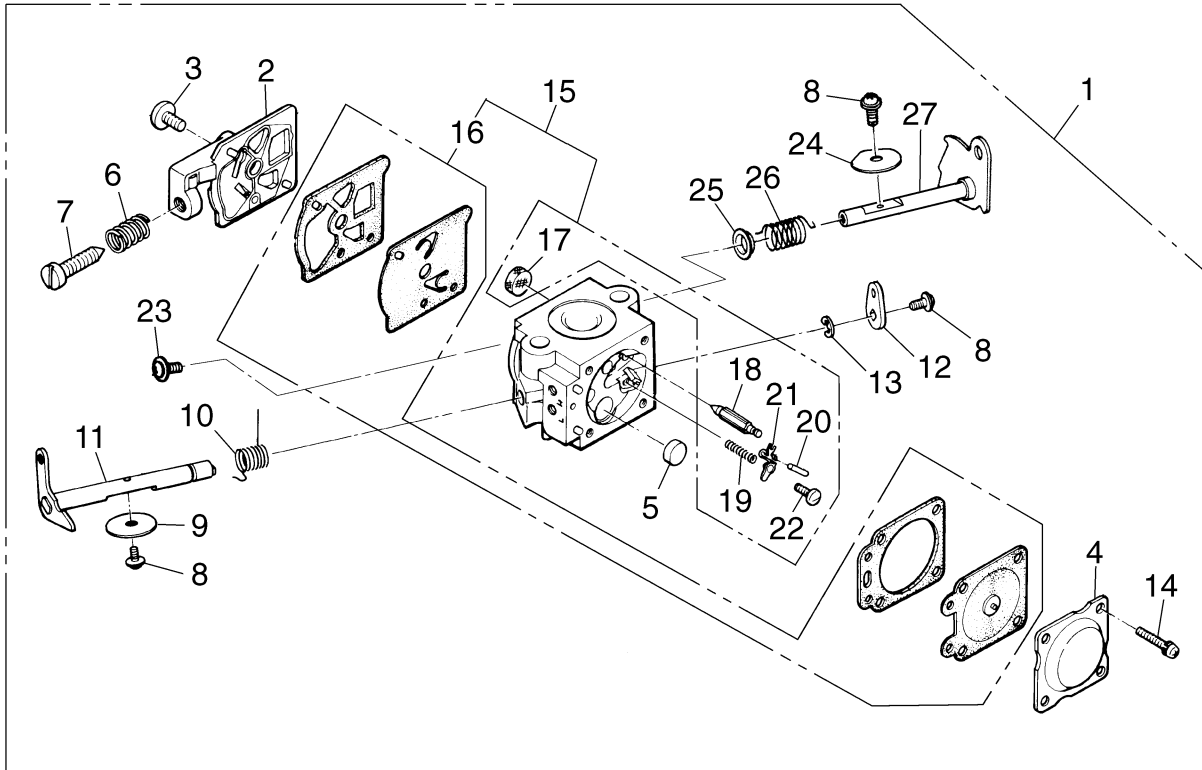


Fig. 2 POWER UNIT

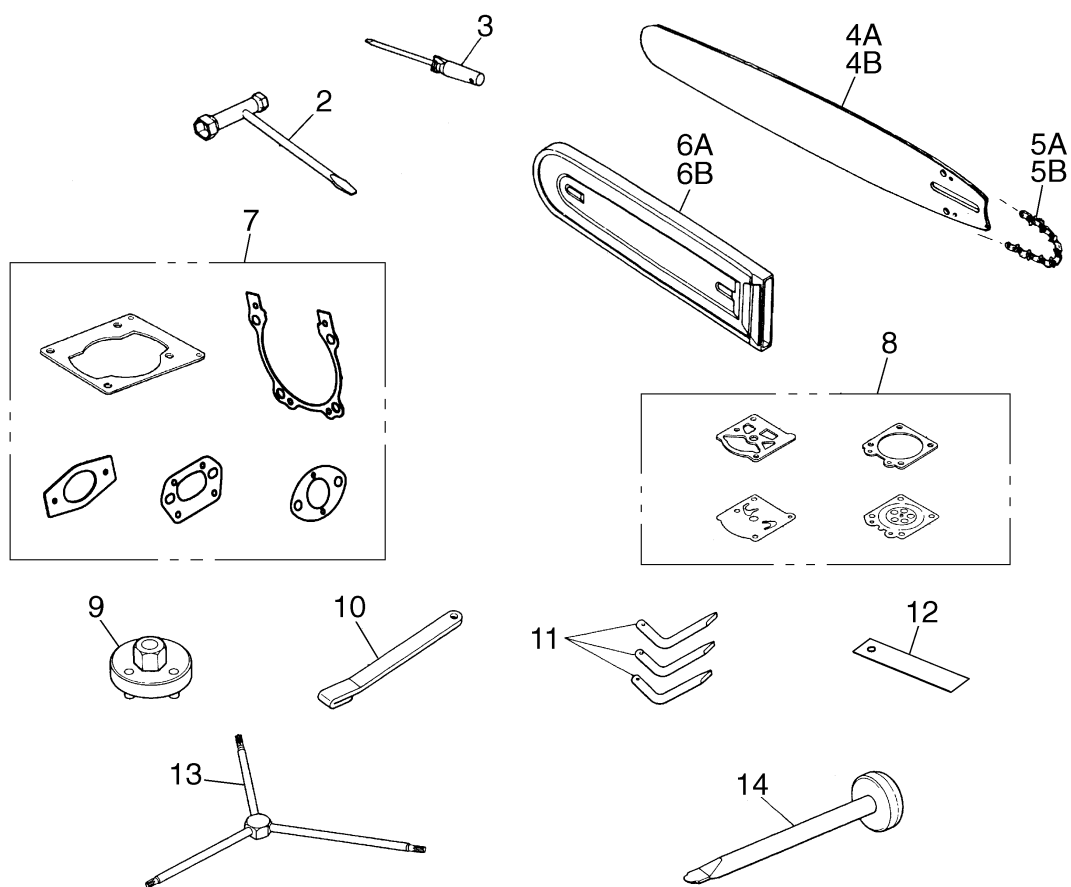
Key#	PART NUMBER	DESCRIPTION	Q'TY /UNIT	NOTE	Key#	PART NUMBER	DESCRIPTION	Q'TY /UNIT	NOTE
1	T2100-32110	Left handle	1		47	2851-54270	• Spring	1	
2	8488252711	Screw	4		48	3330-75411	• Washer	1	
3	T2100-33000	Right handle ass'y	1		49	3310-53331	• Nut (B)	1	
4	2850-33313	• Throttle lever	1		50	2850-54626	• Spring cover	1	
5	3356-33321	• Throttle spring	1		51	2670-54630	• Screw	4	
6	04025-00524	• Spring pin	1		52	2851-54301	• Brake lever comp.	1	
7	2670-34401	Tank cap ass'y	1		53	2851-54350	• Roller	1	
8	2670-34430	• Gasket	1		54	2670-54411	• Slide arm	1	
9	2877-31800	Cap ass'y	1		55	2851-54510	• Brake band	1	
10	2841-31820	• Gasket	1		56	3356-24140	• Roller	1	
11	2850-34111	Grip cover	1		57	2670-54610	• Brake spring	1	
12	848C3033E3	Arm	1		58	T2100-53150	Label	1	
13	8488252711	Screw	1		59	3350-53410	Nut	2	
14	2850-74102	Switch ass'y	1		60	T2100-75610	Fan cover	1	
16	T2100-74210	Cord	1		61	T2100-75000	Starter ass'y	1	
17	2850-34501	Breather ass'y	1		62	T2100-75210	• Reel	1	
18	3317-85120	Grommet	1		63	2850-75301	• Spring	1	
19	T2100-82512	Throttle rod	1		64	3317-75410	• Rope	1	
20	T2100-31500	Pipe comp.	1		65	3330-75421	• Knob	1	
21	T2100-34301	Pipe ass'y	1		66	1850-75151	• Screw	1	
22	2850-34311	• Fuel pipe	1		67	8488251911	Screw	3	
23	2851-34321	• Grommet	1		68	T2100-75130	Label	1	
24	1850-85300	• Filter ass'y	1		69	T2100-35150	Spring front	1	
25	1260-85460	• Clip	1		70	2670-14320	Screw	1	
26	2851-33510	Cap	1		71	848C408100	Carburetor ass'y	1	
27	T2100-25111	Engine case	1		72	2850-82114	Manifold	1	
28	2670-14320	Screw	4		73	2867-82210	Bolt	2	
29	T2100-35200	Damper comp.	1		74	8488251911	Screw	1	
30	2616-35141	Damper	1		75	T2102-35160	Plate	1	
31	8488251601	Screw	2						
32	2856-35180	Cap	1						
33	2880-35250	Cap	1						
34	8488251911	Screw	1						
35	T2100-35150	Spring rear	1						
36	8488251901	Screw	2						
37	848C405403	Chain brake ass'y	1						
38	2850-53250	• Plate	1						
39	2850-54111	• Front guard	1						
40	2850-54120	• Return spring	1						
41	2850-54130	• Screw	1						
42	2850-54140	• Spacer	1						
43	2850-54211	• Spacer	1						
44	848C605423	• Weight	1						
45	2872-54230	• Spring	1						
46	2851-54260	• Stopper plate	1						

Fig. 3 CARBURETOR COMPONENTS & ACCESSORIES



Key#	PART NUMBER	DESCRIPTION	Q'TY /UNIT	NOTE	Key#	PART NUMBER	DESCRIPTION	Q'TY /UNIT	NOTE
1	848C408100	CARBURETOR ASS'Y			21	_____	•• LEVER	-	
2	2850-81120	• PUMP COVER	1		22	_____	•• SCREW	-	
3	3310-81130	• SCREW	1		23	2850-81190	• SCREW	1	
4	3310-81280	• COVER, metering	1		24	2841-81450	• VALVE, choke	1	
5	1480-81420	• PLUG	1		25	2850-81430	• BUSH	1	
6	3350-81380	• SPRING	1		26	2850-81350	• SPRING, choke	1	
7	2630-81330	• SCREW	1		27	2850-81461	• SHAFT, choke	1	
8	2880-81470	• SCREW	3						
9	3356-81340	• VALVE	1						
10	2670-81410	• SPRING	1						
11	T2108-81370	• SHAFT ASS'Y	1						
12	2670-81440	• LEVER	1						
13	1148-81390	• RING	1						
14	3310-81351	• SCREW	4						
15	T2100-06030	• REBUILT KIT	1						
16	T2100-06020	•• GASKET KIT	1						
17	_____	•• SCREEN	-						
18	_____	•• VALVE, inlet	-						
19	_____	•• SPRING	-						
20	_____	•• PIN	-						

Fig. 4 ACCESSORIES



Key#	PART NUMBER	DESCRIPTION	Q'TY /UNIT	NOTE
2	3320-91140	Plug 13x19	1	
3	2670-91150	Driver	1	
4A	848CB24G23	Sprocket nose bar 14"	1	
4B	3608-52112	Sprocket nose bar 16"	1	
5A	2931-52210-50	Chain for 14" bar	1	(91VG-J52E)
5B	2932-52210-50	Chain for 16" bar	1	(91VG-J57E)
6A	3617-97110	Protector for 14" bar	1	
6B	3637-97110	Protector for 16" bar	1	
7	T2100-06010	Gasket kit	1	(OP)
8	T2100-06020	Gasket kit	1	(OP)
9	2670-96210	Wrench (for clutch)	1	(OP)
10	2670-96220	Stopper (for piston)	1	(OP)
11	2670-96240	Wrench (for clutch ASS'Y)	3	(OP)
12	3330-97310	Gauge (for air gap)	1	(OP)
13	2850-96410	Wrench (T20xT25xT27)	1	(OP)
14	2670-96510	Guide (for break spring)	1	(OP)
	T2100-06030	Rebuild-kit	1	(OP)



KOMATSU ZENOAH CO.

1-9 Minamidai, Kawagoe, Saitama, 350-1192 Japan

PRINTED IN JAPAN

PRINTED ON RECYCLED PAPER
IMPRIMÉ SUR PAPIER RECYCLÉ
GEDRUCKT AUF RECYCLING PAPIER
STAMPATO SU CARTA RICICLATA
IMPRESO EN PAPEL RECICLADO